

# Z-Vent

## Coaxial Horizontal Termination

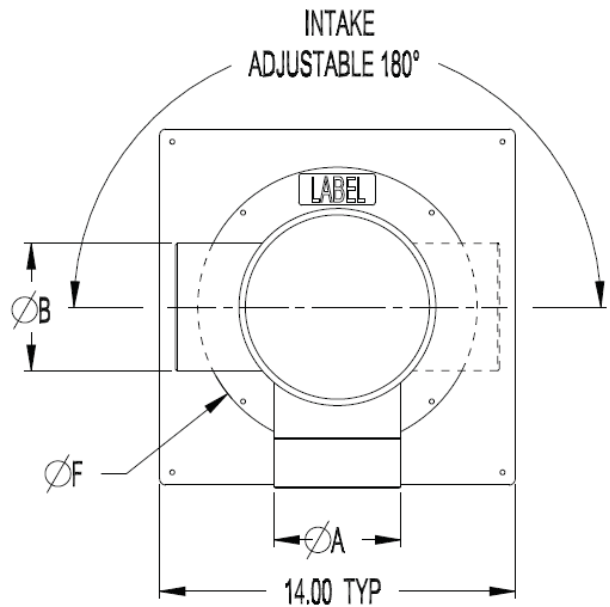
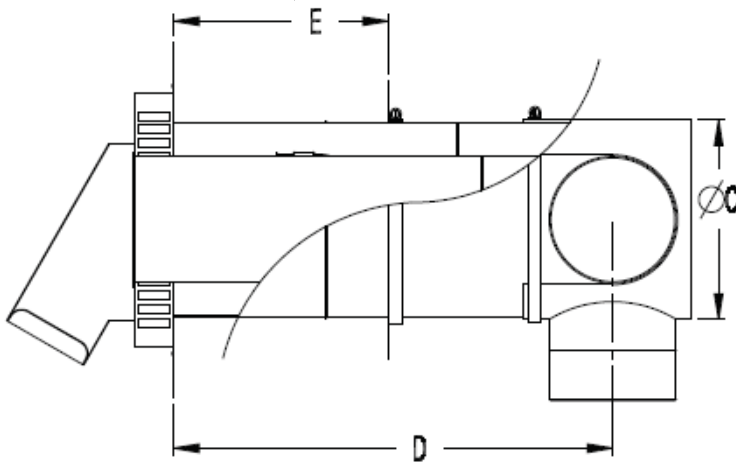
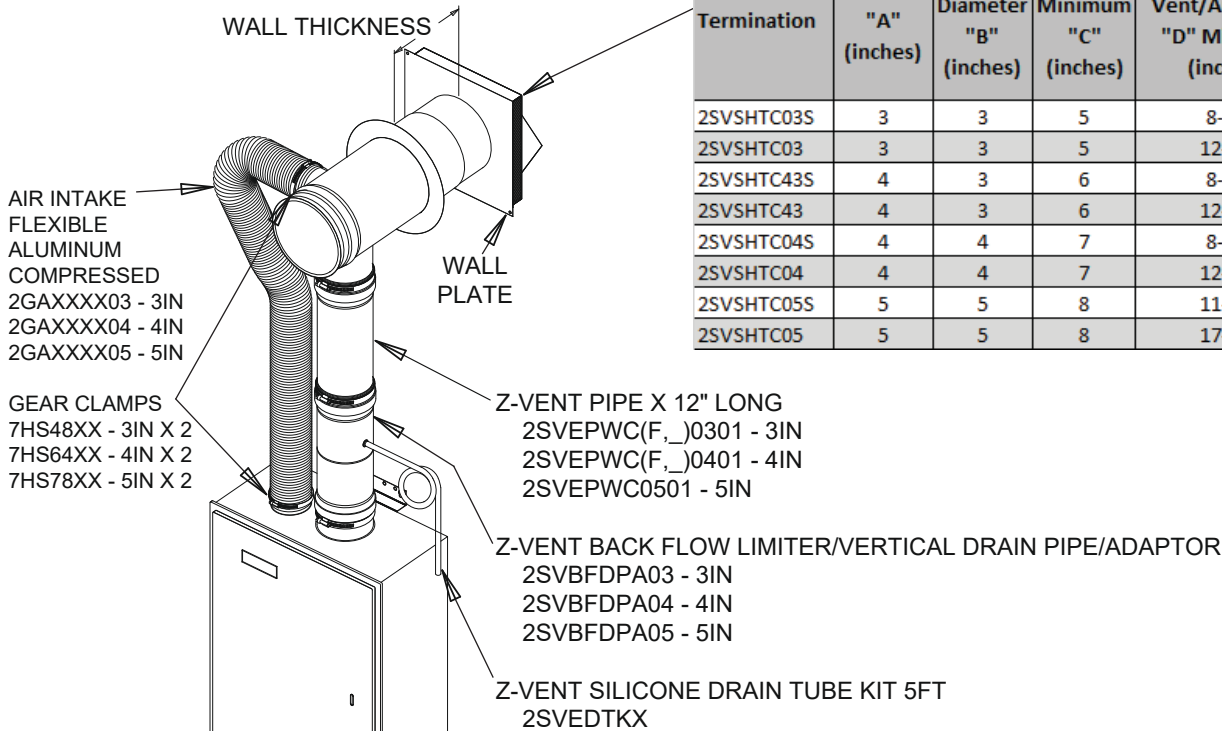
### Kit: 2SVSHTCKIT\_ \_ \_



#### CONTENTS INCLUDES

(1 EACH IN APPROPRIATE DIAMETER EXCEPT WHERE NOTED):

Coaxial Termination	Vent Diameter "A" (inches)	Air Intake Diameter "B" (inches)	Wall Drill Diameter Minimum "C" (inches)	Back of Wall Plate to Centerline of Vent/Air Intake "D" Min-Max (inches)	Adjustable Wall Thickness Maximum "E" (inches)	Trim Diameter "F" (inches)
2SVSHTC03S	3	3	5	8-12	9	9
2SVSHTC03	3	3	5	12-21	17.5	9
2SVSHTC43S	4	3	6	8-12	9	10
2SVSHTC43	4	3	6	12-21	17.5	10
2SVSHTC04S	4	4	7	8-12	9	10
2SVSHTC04	4	4	7	12-21	17.5	10
2SVSHTC05S	5	5	8	11-17	12	11
2SVSHTC05	5	5	8	17-21	17.5	11



#### COAXIAL TERMINATION (SEE TABLE)

##### Notes:

1. Coaxial Termination can be purchased separately.
2. Air intake "B" can accept flexible aluminum duct or single wall metal pipe (C-vent) or PVC.

Canada: 452 Attwell Drive, Etobicoke, ON M9W 5C3 tel: 416.679.0045 • fax: 416.679.0051  
 U.S.A.: 20 Commerce Park North, Bedford, New Hampshire 03110 tel: 603.669.5136 • fax: 603.669.0309 • 800.654.5600